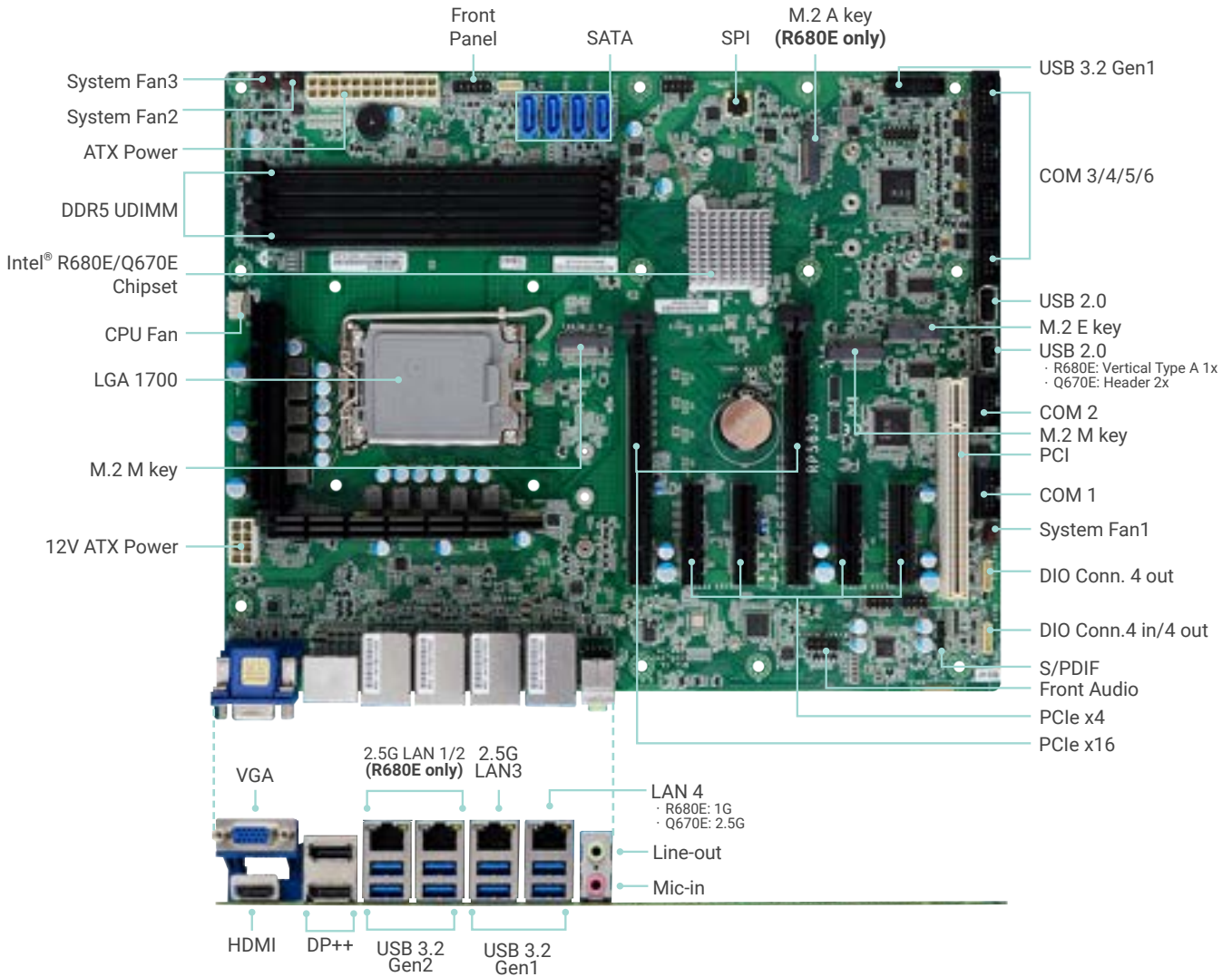


RPS630-R680E RPS630-Q670E

Desktop

14th/13th/12th Gen Intel® Core™
ATX



Top View
(RPS630-R680E)

KEY FEATURES



DDR5

4 DDR5 UDIMM up to 192GB



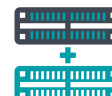
4K High Resolution

Supports 4K resolution



Quad Displays

VGA, 2 DP++, HDMI



Multiple Expansion

2 PCIe x16, 4 PCIe x4, 1 PCI, 2 M.2 M key, 1 M.2 A Key(OOB), 1 M.2 E Key

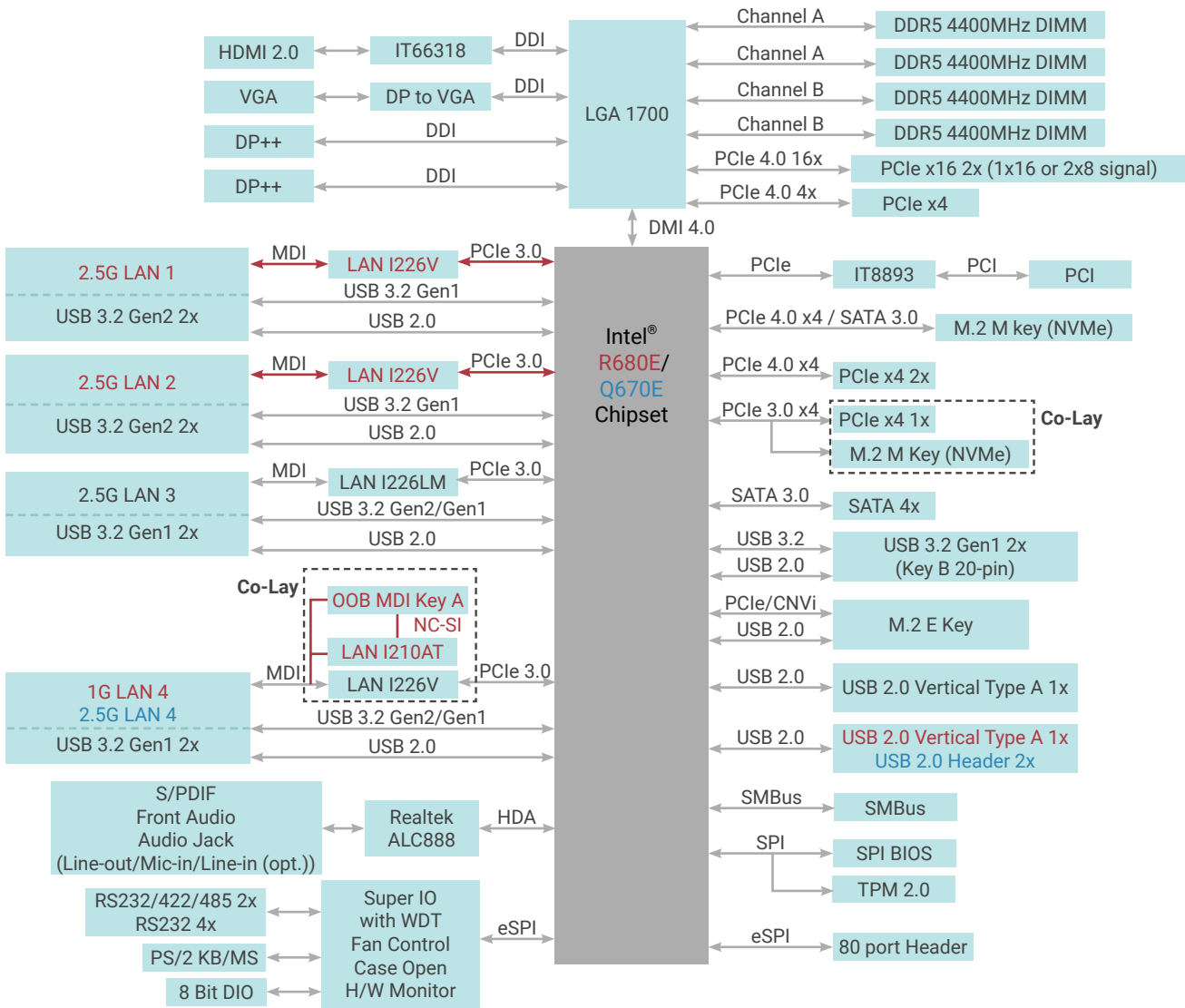


Rich I/O

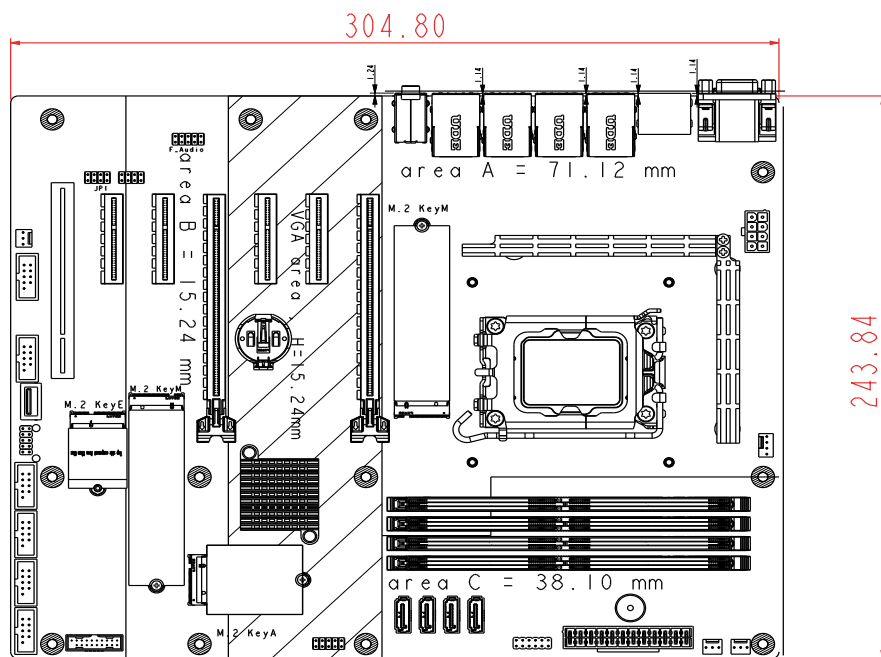
4 Intel 2.5GbE, 6 COM, 4 USB 3.2 Gen2, 6 USB 3.2 Gen1, 3 USB 2.0

BLOCK DIAGRAM

● R680E Only
● Q670E Only



MECHANICAL DRAWING



SPECIFICATION

Model Name		RPS630-R680E	RPS630-Q670E
SYSTEM	Processor	<p>14th Generation Intel® LGA 1700 Socket Processors, TDP support up to 125W</p> <p>Intel® Core™ i9-14900 (24 Cores, 36M Cache, up to 5.8 GHz); 65W Intel® Core™ i9-14900T (24 Cores, 36M Cache, up to 5.5 GHz); 35W Intel® Core™ i7-14700 (20 Cores, 33M Cache, up to 5.4 GHz); 65W Intel® Core™ i7-14700T (20 Cores, 33M Cache, up to 5.2 GHz); 35W Intel® Core™ i5-14500 (14 Cores, 24M Cache, up to 5 GHz); 65W Intel® Core™ i5-14500T (14 Cores, 24M Cache, up to 4.8 GHz); 35W Intel® Core™ i5-14400 (10 Cores, 20M Cache, up to 4.7 GHz); 65W Intel® Core™ i5-14400T (10 Cores, 20M Cache, up to 4.5 GHz); 35W Intel® Core™ i3-14100 (4 Cores, 12M Cache, up to 4.7 GHz); 60W Intel® Core™ i3-14100T (4 Cores, 12M Cache, up to 4.4 GHz); 35W Intel® 300 (2 Cores, 6M Cache, up to 3.9 GHz); 46W Intel® 300T (2 Cores, 6M Cache, up to 3.4 GHz); 35W</p> <p>13th Generation Intel® LGA 1700 Socket Processors, TDP support up to 125W</p> <p>Intel® Core™ i9-13900E (24 Cores, 36M Cache, up to 5.2 GHz); 65W Intel® Core™ i9-13900TE (24 Cores, 36M Cache, up to 5.0 GHz); 35W Intel® Core™ i7-13700E (16 Cores, 30M Cache, up to 5.1 GHz); 65W Intel® Core™ i7-13700TE (16 Cores, 30M Cache, up to 4.8 GHz); 35W Intel® Core™ i7-13700T (16 Cores, 30M Cache, up to 4.9 GHz); 35W Intel® Core™ i5-13500E (14 Cores, 24M Cache, up to 4.6 GHz); 65W Intel® Core™ i5-13500TE (14 Cores, 24M Cache, up to 4.5 GHz); 35W Intel® Core™ i5-13500T (14 Cores, 24M Cache, up to 4.6 GHz); 35W Intel® Core™ i5-13400E (10 Cores, 20M Cache, up to 4.6 GHz); 65W Intel® Core™ i3-13100E (4 Cores, 12M Cache, up to 4.4 GHz); 65W Intel® Core™ i3-13100TE (4 Cores, 12M Cache, up to 4.1 GHz); 35W Intel® Core™ i3-13100T (4 Cores, 12M Cache, up to 4.2 GHz); 35W</p> <p>12th Generation Intel® LGA 1700 Socket Processors, TDP support up to 125W</p> <p>Intel® Core™ i9-12900E (16 Cores, 30M Cache, up to 5.0 GHz); 65W Intel® Core™ i9-12900TE (16 Cores, 30M Cache, up to 4.8 GHz); 35W Intel® Core™ i7-12700E (12 Cores, 25M Cache, up to 4.8 GHz); 65W Intel® Core™ i7-12700TE (12 Cores, 25M Cache, up to 4.6 GHz); 35W Intel® Core™ i5-12500E (6 Cores, 18M Cache, up to 4.5 GHz); 65W Intel® Core™ i5-12500TE (6 Cores, 18M Cache, up to 4.3 GHz); 35W Intel® Core™ i3-12100E (4 Cores, 12M Cache, up to 4.2 GHz); 60W Intel® Core™ i3-12100TE (4 Cores, 12M Cache, up to 4.0 GHz); 35W Intel® Pentium® G7400E (2 Cores, 6M Cache, 3.6 GHz); 46W Intel® Pentium® G7400TE (2 Cores, 6M Cache, 3.0 GHz); 35W Intel® Celeron® G6900E (2 Cores, 4M Cache, 3.0 GHz); 46W Intel® Celeron® G6900TE (2 Cores, 4M Cache, 2.4 GHz); 35W</p>	
	Chipset	Intel® R680E Chipset	Intel® Q670E Chipset
	Memory	Four 288-pin UDIMM up to 192GB (ECC/Non-ECC) Dual Channel DDR5 up to 4400 MHz *Speed support list follow User's Manual	Four 288-pin UDIMM up to 192GB (Non-ECC) Dual Channel DDR5 up to 4400 MHz *Speed support list follow User's Manual
	BIOS	AMI SPI 256Mbit	AMI SPI 256Mbit
	GRAPHICS	Controller	Intel® UHD Graphics 700 series
	Feature	OpenGL 4.5, DirectX 12, OpenCL 2.1 HW Decode: AVC/H.264, MPEG2, VC1/WMV9, JPEG/MJPEG, HEVC/H265, VP8, VP9 HW Encode: MPEG2, AVC/H264, JPEG, HEVC/H265, VP8, VP9	OpenGL 4.5, DirectX 12, OpenCL 2.1 HW Decode: AVC/H.264, MPEG2, VC1/WMV9, JPEG/MJPEG, HEVC/H265, VP8, VP9 HW Encode: MPEG2, AVC/H264, JPEG, HEVC/H265, VP8, VP9
	Display	1 x VGA 2 x DP++ 1 x HDMI 2.0a VGA: resolution up to 1920x1200 @ 60Hz DP++: resolution up to 4096x2304 @ 60Hz HDMI: resolution up to 4096x2160 @ 24Hz	1 x VGA 2 x DP++ 1 x HDMI 2.0a VGA: resolution up to 1920x1200 @ 60Hz DP++: resolution up to 4096x2304 @ 60Hz HDMI: resolution up to 4096x2160 @ 24Hz
	Quad Displays	VGA + 2 DP++ + HDMI	VGA + 2 DP++ + HDMI
EXPANSION	Interface	2 x PCIe x16 (Gen 4, 16 or 8+8) 3 x PCIe x4 (Gen 4, open edge) 1 x PCIe x4 (Gen 3, open edge, co-lay M.2-M2, function selected by BIOS.) 1 x PCI	2 x PCIe x16 (Gen 4, 16 or 8+8) 3 x PCIe x4 (Gen 4, open edge) 1 x PCIe x4 (Gen 3, open edge, co-lay M.2-M2, function selected by BIOS.) 1 x PCI
	M.2	1 x M.2 E key 1 x M.2 A key for M2-OOB 1 x M.2 M key (PCIe x4 Gen4 NVMe, SATA) 1 x M.2 M key (opt. co-lay PCIe x4 Gen3 slot #6, function selected by BIOS.)	1 x M.2 E key 1 x M.2 M key (PCIe x4 Gen4 NVMe, SATA) 1 x M.2 M key (opt. co-lay PCIe x4 Gen3 slot #6, function selected by BIOS.)
AUDIO	Audio Codec	Realtek ALC888S	Realtek ALC888S
ETHERNET	Controller	1 x Intel® I226-LM (Core i9/i7/i5 support iAMT) 1 x Intel® I210-AT (co-lay I226-V) 2 x Intel® I226-V	1 x Intel® I226-LM (Core i9/i7/i5 support iAMT) 1 x Intel® I226-V

SPECIFICATION

Model Name		RPS630-R680E	RPS630-Q670E
REAR I/O	Ethernet	3 x 2.5GbE (RJ-45) 1 x 1GbE (RJ-45, opt. 2.5GbE)	2 x 2.5GbE (RJ-45)
	USB	4 x USB 3.2 Gen 2 4 x USB 3.2 Gen 1	4 x USB 3.2 Gen 2 4 x USB 3.2 Gen 1
	Display	1 x VGA 2 x DP++ 1 x HDMI	1 x VGA 2 x DP++ 1 x HDMI
	Audio	1 x Line-out 1 x Mic-in 1 x Line-in (opt.)	1 x Line-out 1 x Mic-in 1 x Line-in (opt.)
INTERNAL I/O	Serial	2 x RS-232/422/485 4 x RS-232	2 x RS-232/422/485 4 x RS-232
	USB	2 x USB 3.2 Gen1 2 x USB 2.0 Vertical Type A	2 x USB 3.2 Gen1 1 x USB 2.0 Vertical Type A 2 x USB 2.0 (2.54mm pitch, Colay vertical Type A, opt.: MOQ required)
	Audio	1 x Front Audio 1 x S/PDIF	1 x Front Audio 1 x S/PDIF
	SATA	4 x SATA 3.0 (up to 6Gb/s) RAID 0/1/5/10	4 x SATA 3.0 (up to 6Gb/s) RAID 0/1/5/10
	PS/2	1 x PS/2 (2.54mm pitch)	1 x PS/2 (2.54mm pitch)
	DIO	4-IN / 8-OUT DIO	4-IN / 8-OUT DIO
	eSPI	1 x eSPI	1 x eSPI
	SMBus	1 x SMBus	1 x SMBus
WATCHDOG TIMER	Output & Interval	System Reset, Programmable via Software from 1 to 255 Seconds	System Reset, Programmable via Software from 1 to 255 Seconds
SECURITY	TPM	Nuvoton TPM2.0	Nuvoton TPM2.0
POWER	Type	ATX	ATX
	Connector	8-pin ATX 12V power 24-pin ATX power	8-pin ATX 12V power 24-pin ATX power
	Consumption	Typical: i9-14900K: 3.3V @ 0.69A (2.28W); 5V @ 0.95A (4.75W); 12V @ 1.26A (15.12W) Max.: i9-14900K: 3.3V @ 1.2A (3.96W); 5V @ 3.6A (18W); 12V @ 29.02A (348.24W)	Typical: i9-14900K: 3.3V @ 0.69A (2.28W); 5V @ 0.95A (4.75W); 12V @ 1.26A (15.12W) Max.: i9-14900K: 3.3V @ 1.2A (3.96W); 5V @ 3.6A (18W); 12V @ 29.02A (348.24W)
	RTC Battery	CR2032 Coin Cell	CR2032 Coin Cell
OS SUPPORT	Microsoft	Windows 10 IoT Enterprise 64-bit Windows 11 LTSC	Windows 10 IoT Enterprise 64-bit Windows 11 LTSC
	Linux	Linux	Linux
ENVIRONMENT	Temperature	Operating: -5 to 65°C Storage: -30 to 60°C with RTC Battery; -40 to 85°C without RTC Battery	Operating: -5 to 65°C Storage: -30 to 60°C with RTC Battery; -40 to 85°C without RTC Battery
	Humidity	Operating: 5 to 95% RH Storage: 5 to 95% RH	Operating: 5 to 95% RH Storage: 5 to 95% RH
	MTBF	TBD	TBD
MECHANISM	Dimensions	ATX Form Factor 305mm (12") x 244mm (9.6")	ATX Form Factor 305mm (12") x 244mm (9.6")
	Height	PCB: 1.6mm Top Side: 33.3mm Bottom Side: 4mm	PCB: 1.6mm Top Side: 33.3mm Bottom Side: 4mm
CERTIFICATIONS	Certifications	CE, FCC Class B, RoHS, UKCA, KC	CE, FCC Class B, RoHS, UKCA, KC

ORDERING INFORMATION

Model Name	P/N	Memory	2.5GbE	1GbE	RS-232/422/485	USB 3.2 Gen2	USB 3.2 Gen1	USB 2.0	TPM 2.0	Power	Temp.
RPS630-Q670E	770-RPS6301-000G	4 UDIMM	2	0	2	4	6	3	dTPM	24-pin ATX/8-pin ATX 12V	-5 to 65°C
RPS630-R680E	770-RPS6301-100G		3	1				2			

PACKING LIST

· 1 RPS630 motherboard	
· 1 COM port cables (Length: 300mm, 2 x COM ports)	
· 1 Serial ATA data cable (Length: 500mm)	
· 1 I/O shield	A49-RPS310-000G
· 1 M.2 screw/standoff	

OPTIONAL ITEMS

· USB 2.0 port cable (Length: 350/398mm)	A81-001066-016G
· USB 3.2 Gen1 port cable (Length: 320mm)	A81-001052-023G
· USB 3.2 Gen2 port cable (Length: 300mm)	A81-001075-017G
· COM port cable (Length: 300mm, 2 x COM ports)	A81-015026-023G
· Serial ATA data cable (Length: 500mm, W/LOCK)	332-553001-005G
· Serial ATA data cable (Length: 500mm, W/LOCK, 90D)	A81-002128-017G
· Thermal solution (For 35W, Height: 29.39mm)	A71-101136-000G
· Thermal solution (For 65W, Height: 46mm)	A71-101137-000G
· Thermal solution (For 95W/125W, Height: 110mm)	A71-101145-000G
· DP to HDMI Dongle	612-D2H13M-000G
· M.2-COM4 (M.2 serial port module)	770-M2COM1-000G
· M.2-2LAN (M.2 LAN port module)	770-M22LN2-000G
· M.2-2PSE (M.2 PSE module)	770-M22PS2-000G