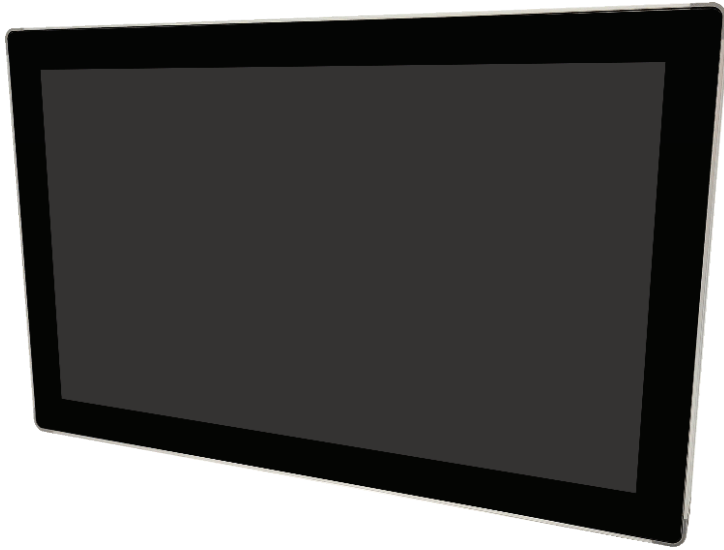


FLM-156-0001-U

15.6"W Multitouch Capacitive Monitor



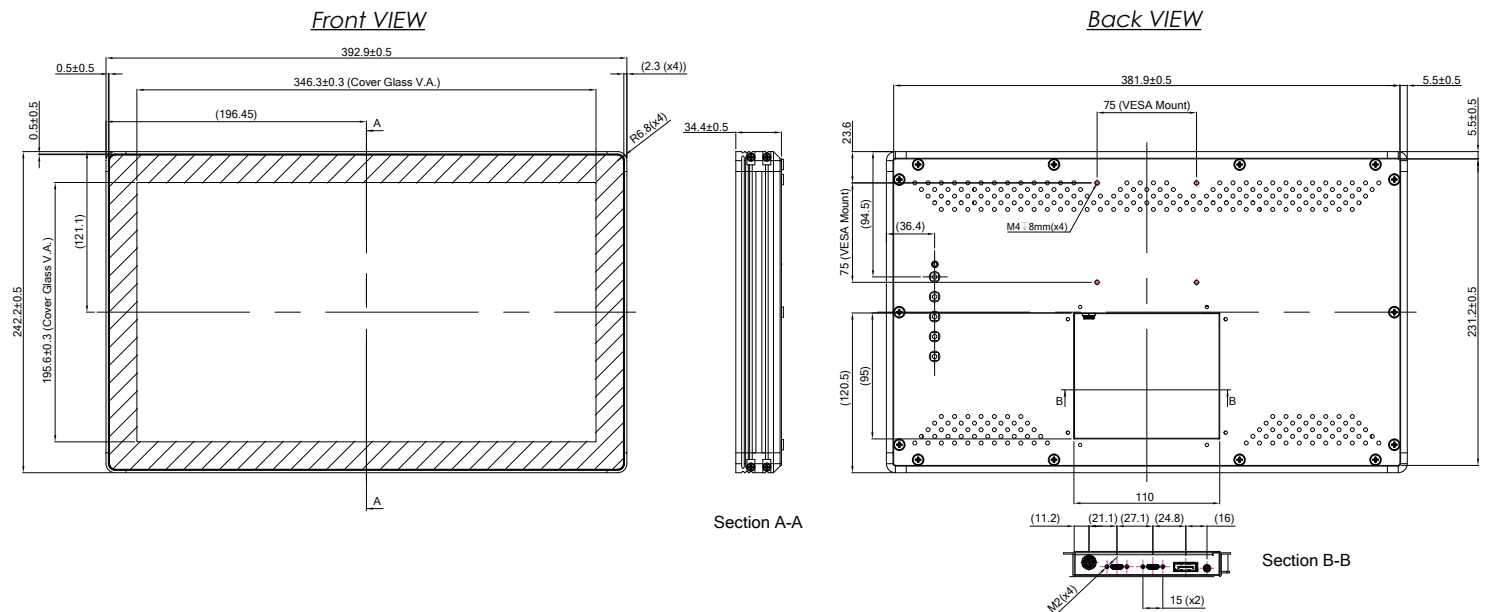
Features:

- 15.6"W TFT LCD Monitor Type C & DP
- 10 Points Multitouch with USB Interface
- Type C with Alt-D & PD 3.0 Input
- Dual Power from DC Jack or Type C
- DC Jack 5.5x2.5Ø with Locking Function
- Type C With Locking Function
- Slim Bezel and Compact Design
- Mounting T-Slot M4 solution
- Mounting VESA Arm 75x75 mm
- Indoor Industrial Application

Specifications:

| | | | |
|----------------------------|-------------------|-------------------------------|---|
| Size: | 15.6"W | Bezel Design: | Die Casting Aluminium Tslot M4 |
| Resolution: | 1920 x 1080 | VESA Mounting: | 75 x 75 mm |
| Max Colors: | 16.7 Millions | Interfaces: | DC Jack x1, Type C x2, DP x1, Audio Earphone x1 |
| Viewing Angle | 89/89/89/89 | DC Input: | DC 12-24 Volts or Type C PD 3.0 (12V Min) |
| Contrast: | 800:1 | Power Consumption: | 15 Watts Typ |
| Display Brightness: | 350 cd/m2 | Net Weight: | 3.2 Kgs |
| Backlight Lifetime: | 50.000 Hours | Operating Temperature: | -10 +60 C |
| Touch: | Pcap 1.8 mm Glass | Storage Temperature: | -20 + 70 C |

Dimensions:



Ordering Information:

FLM-156-0001-U#00 15.6"W Multitouch Capacitive Monitor