

COTEK

SN-1 PLUS User's Manual

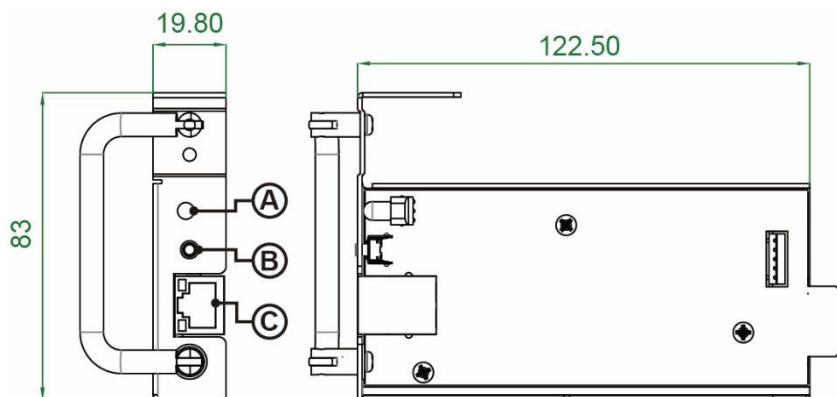
SNMP Module for COTEK SR Series

1. Introduction

1-1. Main features

- SNMP : SN-1 PLUS's version is V2C. It can be connected to system with NMS, to set up and monitor SR-Host parameters.
- Web-Server : Using the browser to set up and monitor SR-Host parameters.

1-2. Hardware introduction



	Description	Function
A	LED light	To display below operation status: Green : Communicate with SR-Host successfully Red : Fail to communicate with SR-Host
B	Reset Button	Go back to SN-1 PLUS default settings
C	RJ45	Connect to PC locally

1-3. How to use Web-Server

1-3-1 Web-Server introduction

Main menu item description:

Status	Status: To display SR-Host status
Event Log	Event Log: To display inverter historical events
Event Log Time	Event Log Time: To set time
System Control	System Control: system output control
UI Config	UI Configuration: RS232/ Interface language/ Login password
Inverter Config	Inverter Configuration: Inverter parameter (settings ex.OVP/UVp...)
Network Config	Network Configuration: SNMP network settings (DHCP/IP...)
SNMP Config	SNMP Configuration: Community Name setup for SNMP V2C



Note! Default login name: admin
Default login password: 000000 (According to the RS-485 password setting)

1-3-2 Status Page

①	Inverter	
	Type	SR1600 PLUS-124
	Firmware Version	1450
	Inverter Status	
	Output Voltage	111.6 V
	Output Current	1.1 A
	Output Freq	60.0 Hz
	Output Watt	66 W
②	Output Watt(%)	2 %
	Output VA	122 VA
	Output VA(%)	3 %
	Working Slave Module Quantity	1
	Total Slave Module Quantity	1
	Battery Status	
③	Voltage	24.52 V
	Charge Current	0.0 A
	Grid Status	
	Voltage	0.0 V
	Current	0.0 A
④	Energy Graph	
	GRID ⇌ SR-HOST → LOAD	
	BAT →	
	Alarm Status	
	[Grid Is Abnormal]	

	Description	Function
①	Type	Model name
②	Loading	Inverter loading Capacity
③	Charge Current	SRC Inverter series only
④	Energy Graph	It displays the energy stream direction

1-3-3 Event Log Page

Event Log

Update		
Date	Event Code	Description
-	-	-

- The first index information is the latest event .

Event Log Time

Date:

Time (hour,minute,second):

- To set Year/Date/Time

1-3-4 System Control Page

System Control

Power Switch:

Buzz Setting:

Dry C Setting:

- Power Switch: To control the power on/off of the Inverter.
- Buzz Setting: To set module buzzer normal/mute/one time
- Dry C Setting: To set rs485 dry contactor relay definition for major/minor

1-3-5 UI Config Page

User Interface Configuration

RS-485 Baudrate:

Password:

- RS-485 Baudrate: To set RS-485 baudrate.
- Password: To set RS-485 6 digits password. (Default: 000000)

1-3-5 Inverter Config Page

Inverter Config

Batt OVP Setting:	<input type="text" value="33.58"/>	V 30.00~34.00 V (0.02/step)
Batt OVP Recovery:	<input type="text" value="28.00"/>	V 26.00~30.00 V (0.02/Step)
Batt UVP Setting:	<input type="text" value="18.00"/>	V 18.00~25.00 V (0.02/Step)
Batt UVP Recovery:	<input type="text" value="25.00"/>	V 23.00~27.00 V (0.02/Step)
Batt UV Alarm:	<input type="text" value="21.00"/>	V 19.00~26.00 V (0.02/Step)
Grid OVP:	<input type="text" value="130.0"/>	V 127.5V~132.5V(0.5V/step)
Grid OVPR:	<input type="text" value="125.0"/>	V 120.0V~127.0V(0.5V/step)
Grid UVP:	<input type="text" value="90.0"/>	V 75.0V~90V(0.5V/step)
Grid UVPR:	<input type="text" value="95.0"/>	V 90.5V~100.0V(0.5V/step)
O/P Voltage:	<input type="text" value="111.5"/>	V 97.0~127.0 V(0.5V/step)
O/P Frequency:	<input type="text" value="60Hz"/> <input type="button" value="v"/>	
Sync Frequency:	<input type="text" value="3.0"/>	Hz (0~3.0 Hz)
Sharing:	<input type="text" value="Disable"/> <input type="button" value="v"/>	
DC/AC mode:	<input type="text" value="AC mode"/> <input type="button" value="v"/>	
VCHG Setting:	<input type="text" value="27.00"/>	V SRC-series only.
ICHG Setting:	<input type="text" value="0"/>	A SRC-series only.

1-3-6 Network Config Page

Network Config

This page allows the configuration of the board's network settings.

CAUTION: Incorrect settings may cause the board to lose network connectivity.

Enter the new settings for the board below:

MAC Address:

① Host Name:

Enable DHCP

IP Address:

Gateway:

Subnet Mask:

	Description	Function
①	Host Name	SN-1 PLUS Network Name



Note! Incorrect network setting may cause SN-1 PLUS connection issue.
Please set the values back to default whenever issue arises
(Refer to 2-3)

1-3-7 SNMP Config Page

SNMP Community Configuration

Read/Write Community String configuration for SNMPv2c Agent.

Configure multiple community names if you want the SNMP agent to respond to the NMS/SNMP manager with different read and write community names.

Read Comm1 :

Read Comm2 :

Read Comm3 :

Write Comm1:

Write Comm2:

Write Comm3:

NMS/HOST Address:

Set SN-1 PLUS Community Name :



Note! After AC restart, Community Name will go back to default.

1-4. SNMP V2C Description

SNMP Agent Trap

Item	Description
trapReceiverIPAddress	Network Management Station trap IP
trapCommunity	NMS trap community name.
trapEnable	If=0, Disable SN-1 trap , If =1, Enable SN-1 trap
trapTimeInterval	Setting the interval at which traps occur each time. MAX = 65535 / per100ms, MIN = 1 / per100ms



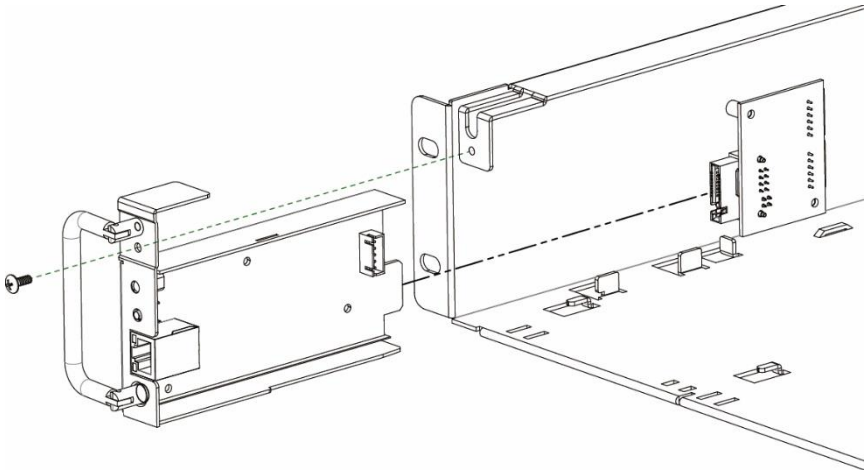
Note! Please contact your COTEK local distributor for MIB file.



Note! After AC restart, trap will go back to default

2. Installation and Operation

2-1 Installation of SN-1 PLUS



Step 1 : Hold the button on the panel and slot in the SN-1 PLUS card for 1 second

Step 2 : Fix the screw

2-2 Connection from SN-1 PLUS to PC

2-2-1 Connection via the router

- Connect SN-1 PLUS to the router
- Find the IP address of SN-1 PLUS from the router
- Type IP address of SN-1 PLUS in the web browser/NMS and then connect to web-server/SNMP agent

2-2-2 Connection via PC

- Connect from SN-1 PLUS to PC
- The default static IP of SN-1 is 192.168.1.250. Please change the setting value of network interface card in PC. The static IP address of PC is 192.168.1.X (The value X cannot be the same value of SN-1 PLUS IP's 250)
- Type IP address of SN-1 PLUS in the web browser/NMS and then connect to web-server/SNMP agent

2-3 Reset SN-1 PLUS to Default

Hold the button on the panel and slot in the SN-1 PLUS card for 1 second

3 Troubleshooting

LED Status	Signal Description	Suggestion actions
LED Red	SN-1 PLUS fails to communicate with SR-Host.	<ol style="list-style-type: none">1. Check LED of SR-1600 PLUS module2. Unplug and plug in SN-1 PLUS module again.3. Check the LED status on SN-1 PLUS.
LED Green	SN-1 PLUS communicates with SR-Host correctly, but the data transmission is still abnormal	<ol style="list-style-type: none">1. Press Reset button and go back to default value.2. Check if router or PC network setting is correct.3. Check firewall setting and PORT 80,161,162 for SN-1 PLUS4. Change another Ethernet cable.

Table 6. Troubleshooting guide

4 Warranty

We guarantee this product against defects in materials and workmanship for a period of 24 months from the date of purchase. In case you need to repair or replace any defective power inverters, please contact COTEK local distributor.

This warranty will be considered void if the unit has been misused, altered, or accidentally damaged. COTEK is not liable for anything that occurs as a result of the user's fault.

COTEK

No.33, Sec. 2, Renhe Rd., DaxiDist., Taoyuan City 33548, Taiwan

Phone : +886-3-3891999 FAX : +886-3-3802333

http : // www.cotek.com.tw

2019.03._A0